

BL MODELS

Complete systems built to diluting liquid chemicals with water in batch mode and adjustable variable concentrations ratio 1:10, suitable for liquids that is possible dosing with standard peristaltic or diaphragm pump and chemically compatible. Built as skid principles where all components are connected and tested make it easy electrical and hydraulic installation saving time and money. Easy maintenance and operation procedures make them ideal systems used batch dilution process. Main structure built in HDPE with cylindrical geometry, optionally in double deck design. The level of available solution is controlled by an ultrasonic probe on the outside of the tank, which allows the low level to start the reset process

by opening the solenoid valve and when it reaches the maximum level, stop the inflow of dilution water. The batch preparation volume can thus be controlled by the minimum level and the maximum level adjusted by us at the time of delivery. Configurable process alarms with informative or impeditive action. Mechanical and process fault alarms with independent contact free current signals. Optionally is possible include low level sensor contact for raw chemical. Standard models cover most part of process needs but our engineering department can study with costumers different options to improve present configurations to any situation.

ELECTRICAL PANEL

"All Siemens inside" with synoptic board, main parts signalization by bicolor led.

DOSING PUMP

Peristaltic with high head suction capacity suitable for standard or viscous liquids, driven by motor and controlled by speed inverter.

MIXERS

With fast removable coupling system, shaft and 45° plain tetra-blade propellers build in 316 SS. Two propellers in double deck versions.

Configuration Chart

Please select the option that best suits your needs and fill the following chart with the green references:

VOLUME CAPACITY

300
600
1000
1500
2000

POWER SUPPLY

3 phases +
Neutral + PE: TN
3 phases + PE: NL

ARRANGEMENT

Standard: S
Double deck: K

RAW POLYMER PUMP TYPE

Peristaltic: P
Membrane: M

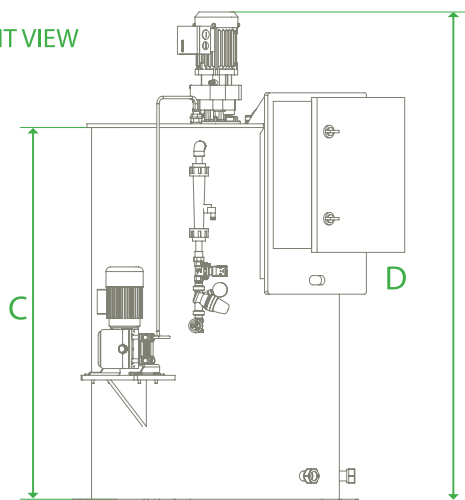
PULSES WATER METTER

Standard without: leave blank
Just with membrane pump :W

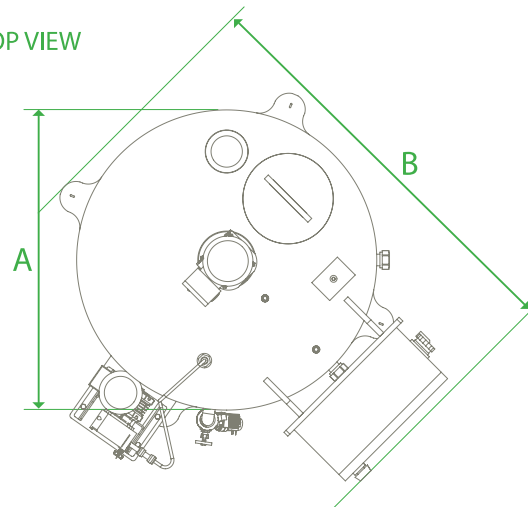
BL

Technical Drawings

FRONT VIEW



TOP VIEW



Technical Specifications

	BL 300	BL 600	BL 1000	BL 1500	BL 2000
Total volume L	300	600	1000	1500	2000
Diameter as A mm	670	830	992	1190	1310
Width as B mm	990	1050	1330	1520	1630
Tank height as C mm	1000	1200	1500	1500	1500
Total height as D mm	1730	1940	2270	2270	2270
Water connection DN	15	15	15	20	20
Max. water flow L/h	600	1000	1500	2500	3000
Dosing connection DN	25	25	25	32	32
Total rate kW	0.55	0.55	0.8	0.8	1.3
Power supply	3pH + N	3pH + N	3pH + N	3pH + N	3pH + N
Voltage V	400	400	400	400	400
Dosing pump rate kW	0.18	0.18	0.18	0.18	0.18
Mixers motor kW	0.37	0.37	0.55	0.55	1.1
Speed rpm	160	160	134	134	144
Propeller diameter mm	200	200	350	350	500