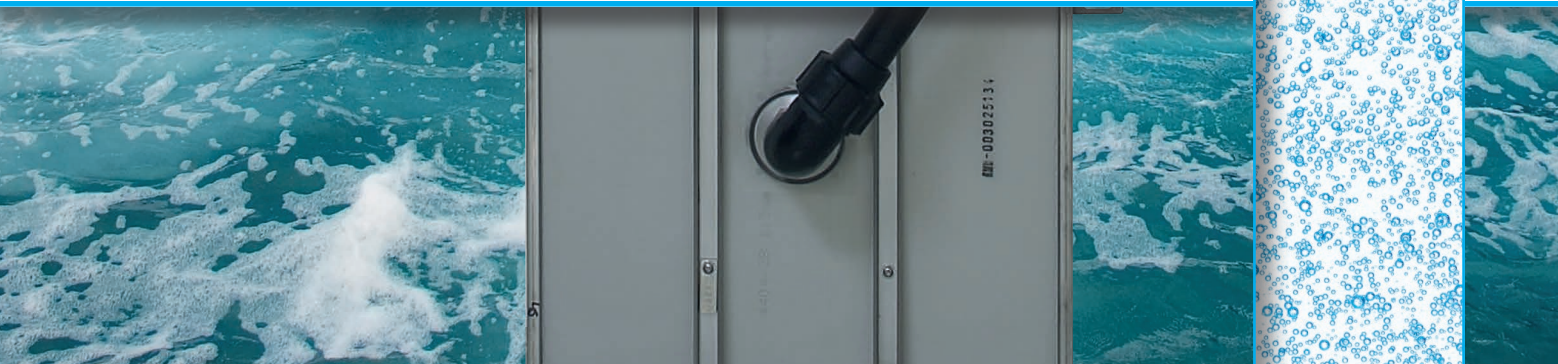
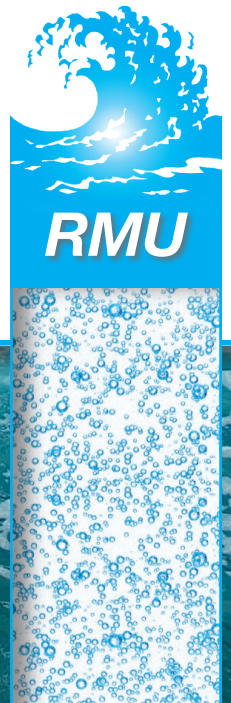




MESSNER® Aeration Panel COMPACT

Aeration at its finest!

RUDOLF **MESSNER** UMWELTECHNIK



Aeration at its finest!

The MESSNER® Aeration Panel



Arguments:

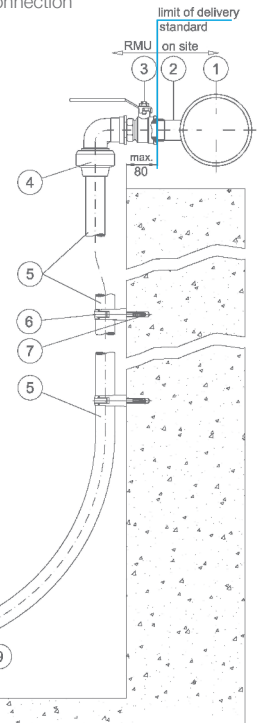
- **Maximum Oxygen Intake**
 - **Highest Energy Efficiency**
 - **Up to 20 Years of Service Life**
 - **Stainless Steel AISI 316L**
- The proven MESSNER® Aeration Panel, equipped with a permanently elastic, low-maintenance, non-clogging membrane of thermoplastic polyurethane (TPU)

contains no plasticizers or other additives and is suitable for continuous and intermittent operation in aeration tanks of municipal and industrial wastewater treatment plants.

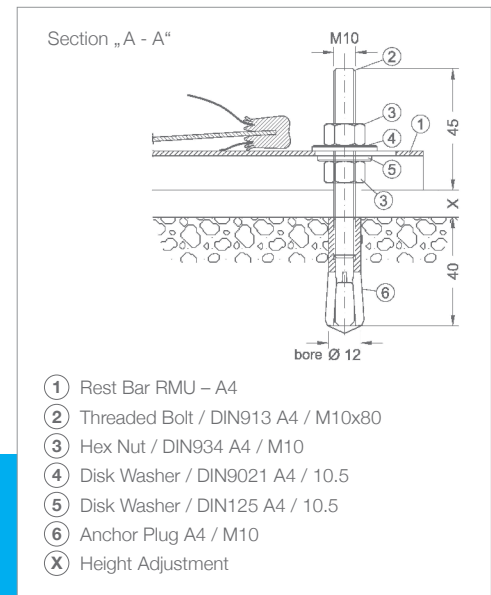
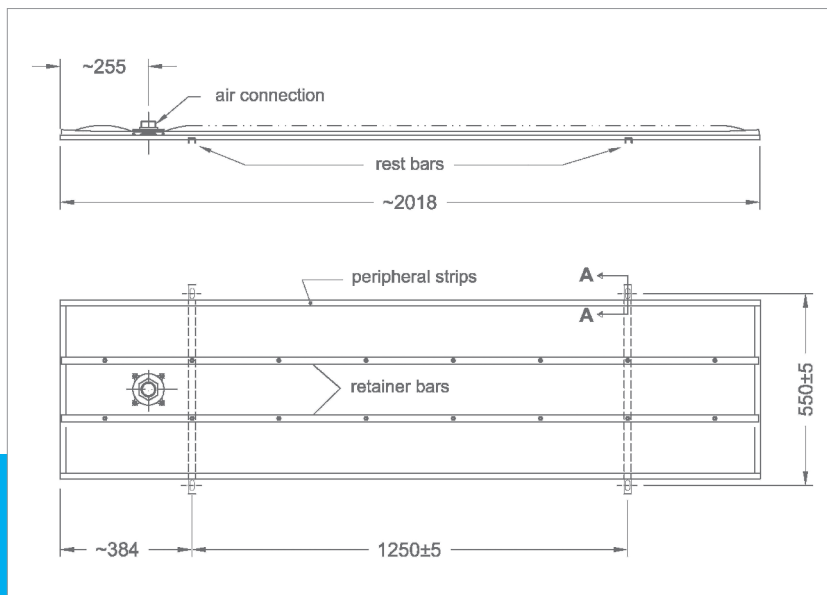
Technical Data:

MESSNER® Aeration Panel	Compact	Compact HL	Compact HT	Compact HT/HL
Type:	V200-50M50	V200-50M18	V200-50H50	V200-50H18
Dimensions (L x W):	2.0 m x 0.5 m	2.0 m x 0.5 m	2.0 m x 0.5 m	2.0 m x 0.5 m
Active Membrane Area:	1.0 m ²	1.0 m ²	1.0 m ²	1.0 m ²
Normal Airflow Range:	0 - 30 m ³ _N /h	0 - 90 m ³ _N /h	0 - 25 m ³ _N /h	0 - 75 m ³ _N /h
Max. Wastewater Temp.:	30 °C	30 °C	40 °C	40 °C

Air Connection



Item	Material	Delivery
① Air Distribution Pipeline		On Site
② Welding Nipple, 5/4"		On Site
③ Ball Valve, 5/4"	Stainless Steel	RMU
④ Elbow Union 90°, 40 x 5/4"	PE	RMU
⑤ Air Supply Hose, 40 x 2.3	HD-PE	RMU
⑥ Wall Clip 40	PE	RMU
⑦ Peg 8 x 40	Nylon	RMU
⑧ MESSNER® Aeration Panel	Stainless Steel/TPU	RMU
⑨ Drop in Anchor M10 x 40	Stainless Steel	RMU



- ① Rest Bar RMU – A4
- ② Threaded Bolt / DIN913 A4 / M10x80
- ③ Hex Nut / DIN934 A4 / M10
- ④ Disk Washer / DIN9021 A4 / 10.5
- ⑤ Disk Washer / DIN125 A4 / 10.5
- ⑥ Anchor Plug A4 / M10
- ⓧ Height Adjustment